

Multicluster Box for SUNNY ISLAND 4548-US and 6048-US



MCB-12U



IMAGE FOR ILLUSTRATIVE PURPOSES ONLY



Flexible

- Integrated AC distribution for Sunny Island, generator and PV systems
- Can accommodate various generator, PV and load sizes
- For systems up to 100 kW

Simple

- Load shedding, Sunny Island and generator contactors and circuit breakers
- Circuit breaker for PV system

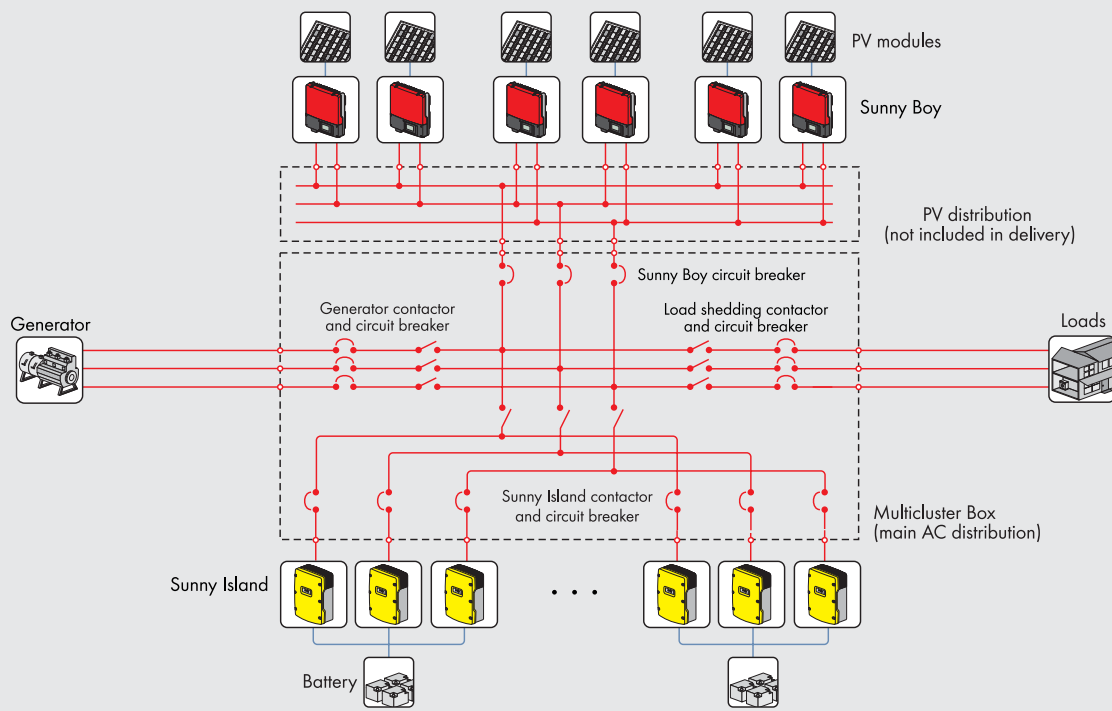
Enhanced Safety

- Reverse current monitoring
- Simple emergency operation of the generator

Multicluster Box for SUNNY ISLAND 4548-US and 6048-US

Simple design of large off-grid systems

The Multicluster Box for the Sunny Island 4548-US and 6048-US is the ideal solution for the easy installation of off-grid systems up to 100 kW. Two to four three-phase clusters, each with three Sunny Islands, can be connected in parallel. The Multicluster Box is pre-wired for operation and equipped with a main connection for PV or wind energy systems. The communication cables necessary for installation are also included.



Technical Data	Multicluster-Box 12U
General	
Number of phases	3-phase
Nominal voltage	3 x 120 V / 208 V
Voltage range	105 - 132 V / 181 - 229 V
Nominal frequency / range	60 Hz / 55 Hz ... 65 Hz
Dimensions (W / H / D)	48 / 65 / 14 in (122 / 165 / 36 cm)
Mounting type	standing on base
Weight	approx. 485 lbs (220 kg)
Connections for Sunny Island	
Number	12
Continuous AC output at 77 °F (25 °C)	up to 72 kW
AC output for 30 min. / 1 min.	80 kW / 100 kW
Nominal AC current at 77 °F (25 °C)	3 x 167 A
Connections for PV system	
Number	1 x 3-phase
Nominal AC power / AC current	110 kW / 3 x 300 A
Load connection	
Number	1 x 3-phase
Nominal power / current	110 kW / 3 x 300 A
Generator connection	
Number	1 x 3-phase
Nominal power / current	110 kW / 3 x 300 A
Ambient conditions	
Ambient temperature	-25 °C to +60 °C (-13 °F to +122 °F)
Enclosure rating	NEMA 12
Certifications and permits	UL 508A
Accessories	
Communication cable	4 x 5 m FTP Cat 5e
Multicluster Piggy-Back	○
● Standard features ○ Optional features – Not available	
Last update: September 2013	
Type designation	MCB-12U

CUSTOMER: 140330 SMA and Sunny Island are registered trademarks of SMA Solar Technology AG. Printed on FSC-certified paper. All products and services described as well as technical data are subject to change, even for reasons of country-specific deviations, at any time without notice. SMA assumes no liability for errors or omissions. For current information, see www.SMA-Solar.com.