

# PHI 3.8™ BATTERY



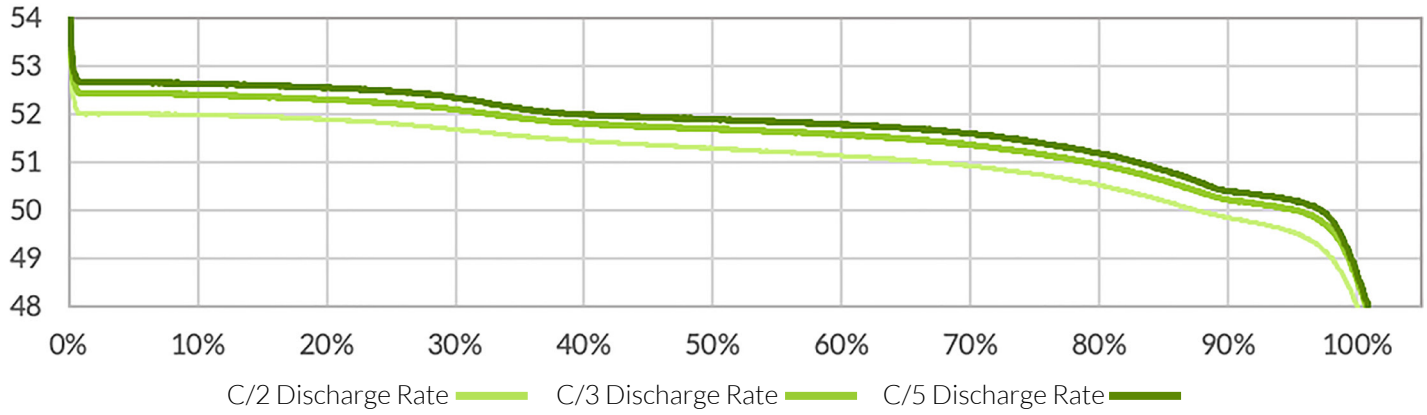
SimpliPhi Power's PHI 3.8™ Battery utilizes the safest Lithium Ion chemistry available, Lithium Ferro Phosphate (LFP). No cobalt or explosive hazards that put customers at risk. By eliminating cobalt, the risk of thermal runaway, fire propagation, operating temperature constraints, and toxic coolants are reduced. When combined with our integrated high-performance Battery Management System (BMS), accessible 80A DC breaker On/Off switch and overcurrent protection (OCPD), the PHI 3.8 Battery delivers safe, highly efficient and cost-effective service over the life of both residential and commercial installations, on or off-grid. Compatible with all industry-standard inverter charge controllers, the PHI 3.8 Battery supports balance-of-system equipment and optimizes any power generation source - solar, wind, grid, generator - with scalable, on-demand energy storage solutions for critical back-up and daily savings on electricity bills.

| PHI 3.8 kWh Module                 | 24V  | 48V  |
|------------------------------------|--|--|
| SKU                                | PHI-3.8-24-60  | PHI-3.8-48-60                                  |
| DC Voltages - Nominal              | 25.6 VDC   | 51.2 VDC                                       |
| Amp-Hours                          | 151 Ah   | 75 Ah  |
| Rated kWh Capacity                 | 3.8 kWh DC @ 100% DOD<br>3.04 kWh DC @ 80% DOD   | 3.8 kWh DC @ 100% DOD<br>3.04 kWh DC @ 80% DOD |
| MAX Discharge Rate (10 minutes)    | 80 Amps DC (2.05 kW DC)  | 80 Amps DC (4.1 kW DC)                         |
| MAX Continuous Discharge Rate      | 75 Amps DC (1.9 kW DC)   | 37.5 Amps DC (1.9 kW DC)                       |
| MAX Continuous Charge Rate         | 75 Amps DC (1.9 kW DC)   | 37.5 Amps DC (1.9 kW DC)                       |
| DC Voltage Range <sup>1</sup>      | 24 VDC to 28 VDC   | 48 VDC to 56 VDC                               |
| Depth of Discharge <sup>1</sup>    | up to 100%   |  |
| Charging Temperature <sup>1</sup>  | 32° to 120° F (0° to 49° C)  |  |
| Operating Temperature <sup>1</sup> | -4° to 140° F (-20° to 60° C)  |  |
| Storage Temperature                | 6 months: 14° to 77° F (-10° to 25° C)<br>3 months: -4° to 113° F (-20° to 45° C)        |  |
| Self-Discharge Rate                | < 1% per month   |  |
| Cycle Life                         | 10,000+ cycles (@ 80% DOD)   |  |
| Memory Effect                      | None   |  |
| Warranty                           | 10 Years   |  |
| Weight                             | 78.24 lbs. (35.5 kg)   |  |
| Dimensions (W x H x D)             | 13.5 x 14 x 8 in. (15.5" H w/terminals) / 0.88 ft3<br>(34.3 x 35.6 x 20.3 cm / 0.025 m3) |  |
| Model Number                       | PHI3.8 24V 60 VTE BRK  | PHI3.8 48V 60 VTE BRK                          |

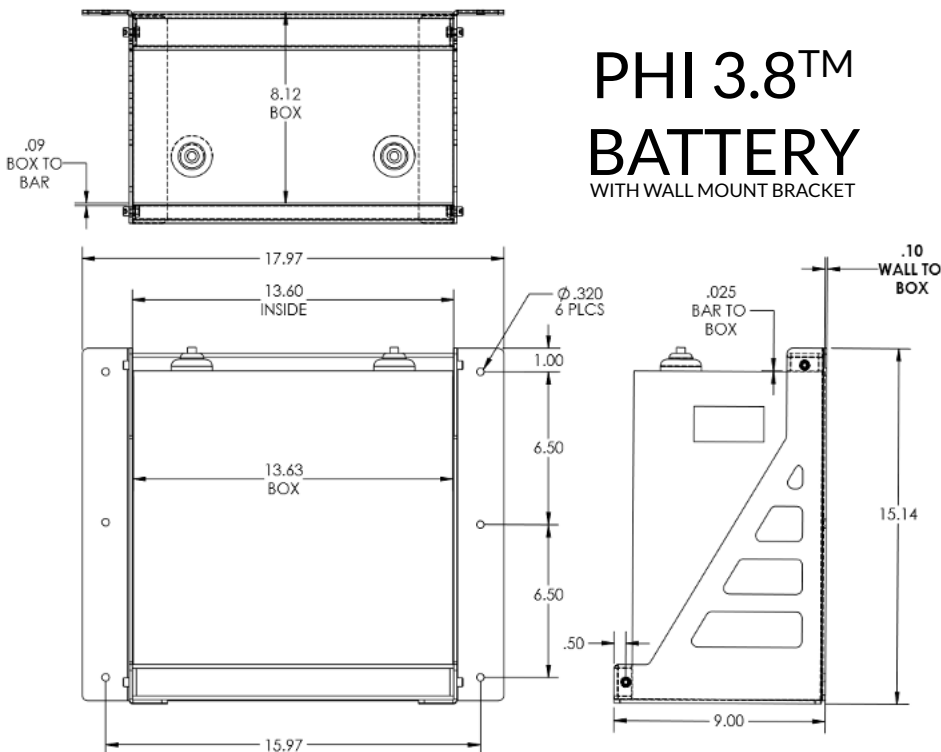
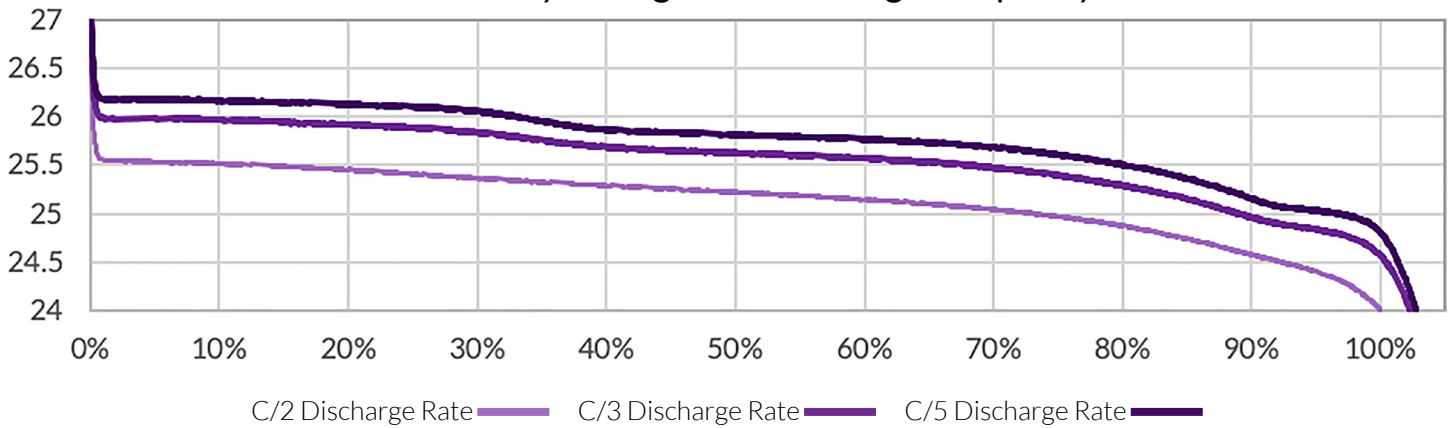
1. Max operating ranges. Refer to Warranty for recommended conditions.
- All specifications listed are typical/nominal and subject to change without notice.
  - UN 3480, Lithium ion batteries, 9, II
  - UL, CE, UN/DOT and RoHS compliant components - UL Compliant
  - Designed and manufactured in California, USA



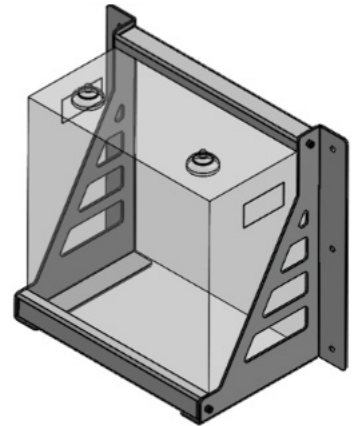
## 48V Battery Voltage VS. Discharged Capacity



## 24V Battery Voltage VS. Discharged Capacity



## PHI 3.8™ BATTERY WITH WALL MOUNT BRACKET



|                |               |       |
|----------------|---------------|-------|
| Terminals      | 3/8 IN        | 10 MM |
| Battery Cables | 6 AWG MINIMUM |       |

Refer to the Integration Guide section of SimpliPhi's [Product Documentation](#) web page for wiring instructions, inverter and/or charge controller specific settings. Must be followed to maintain PHI Warranty.