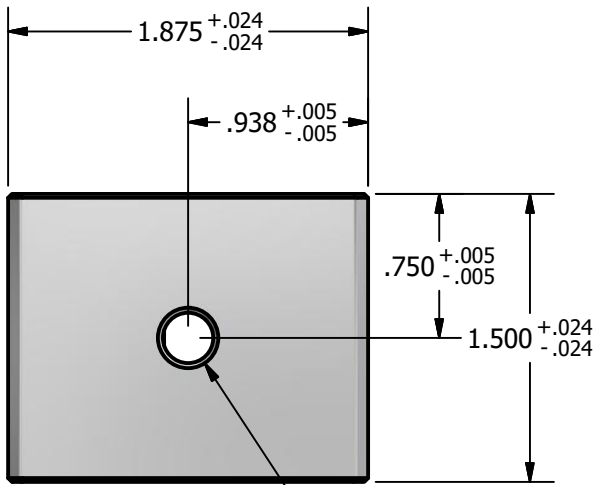


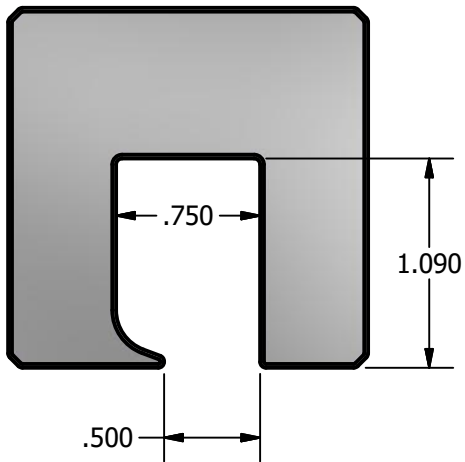
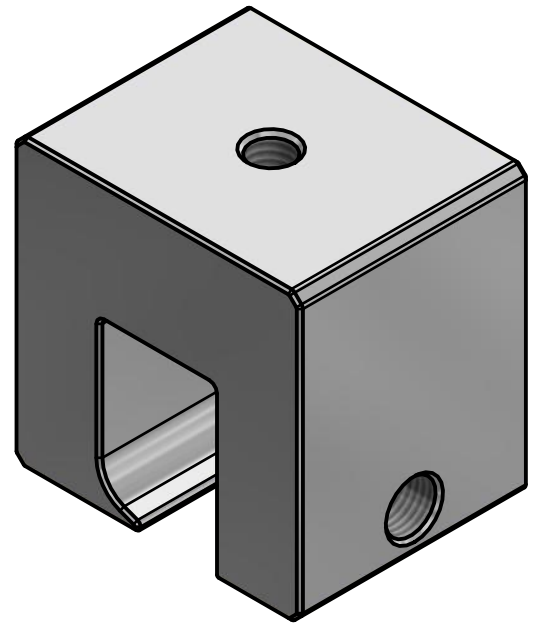
# \*\*\* SCI PRODUCT CUT SHEET \*\*\*

REV-001	APPROVED FOR PRODUCTION 10/29/16



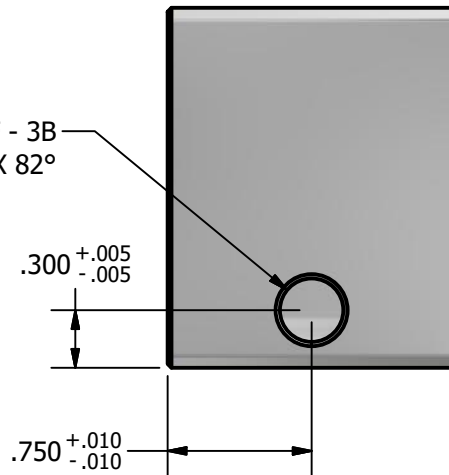
**TOP VIEW**

M8x1.25 - 6H  $\nabla$  .625  
 $\nabla$   $\varnothing$ .315 X 82°



**FRONT VIEW**

3/8-24 UNF - 3B  
 $\nabla$   $\varnothing$ .375 X 82°



**RIGHT VIEW**

**NOTES:**

1. FOR CLARITY THIS DRAWING IS NOT TO SCALE.
2. CONTACT THE MANUFACTURER FOR RECOMMENDED LAYOUTS, SPACING AND ADDITIONAL DETAILS.
3. INSTALLATION MUST BE COMPLETED WITH THE MANUFACTURERS WRITTEN SPECIFICATIONS AND INSTALLATION INSTRUCTIONS.
4. THESE DRAWINGS ARE SUBJECT TO CHANGE WITHOUT NOTICE.



**SOLAR CONNECTIONS INTERNATIONAL**

**THE FUTURE OF SOLAR ATTACHMENTS**

4800 METALMASTER WAY - MCHENRY, IL 60050

PHONE: 800.815.7652 WEBSITE: WWW.SOLARCONNECTIONS.COM  
 FAX: 815.455.4367 E-MAIL: INFO@SOLARCONNECTIONS.COM

## POWER CLAMP - KLOC MINI - 1SS

DRAWN BY:	rhoeffleur
DATE:	10/28/2016
SCALE:	N.T.S.
MATERIAL:	Aluminum 6061

THE INFORMATION HEREIN IS CONFIDENTIAL AND PROPRIETARY AND IS NOT TO BE DISCLOSED OR DELIVERED TO THIRD PARTIES WITHOUT THE PRIOR WRITTEN CONSENT OF SOLAR CONNECTIONS INTERNATIONAL, INC.