

EV CHARGING CABLE RETRACTOR

ELECTRIC VEHICLE CHARGING CABLE MANAGEMENT:

Spring Loaded Tether

Suspends cable to effortlessly draw back cable for convenient storage

Flexible Mounting Options

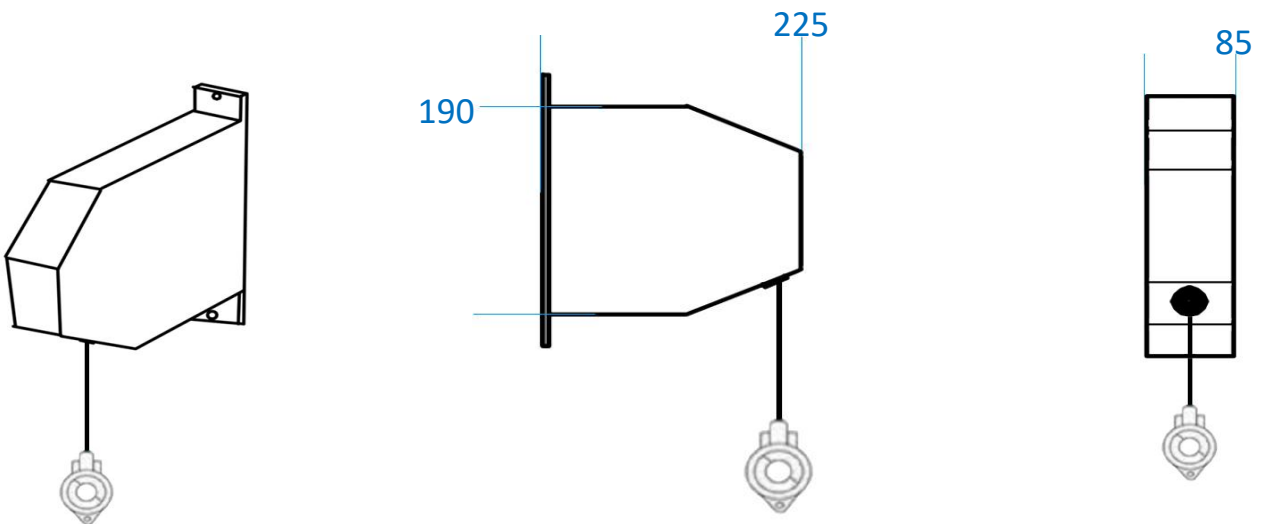
Wallmount, Polemount or Pedestal /Ground Installation

- * A EV Charger Cable Management Solution
- * Extends the Life of Cables by Elevating Them off the Ground
- * Keep the Charging Cables Supported Overhead and Out of the Way



SPECIFICATIONS

Retracting Strength (KG)	5.0KG @ Retracting/Returning to Holder	
	4.0KG @ Plugged into EV while Charging	
Retract Range	500CM	
Cable Clamp (Inner Diameter)	0.82"	For 19mm - 22mm Charging Cable
	0.59"	For 14mm - 17mm Charging Cable
Material:	Powder Coated Black Steel Housing	
	Stainless Steel Hardware	Nylon Cable Clamp
Package Info	26*26*10 CM	Dimension
	4.5KG	Gross Weight

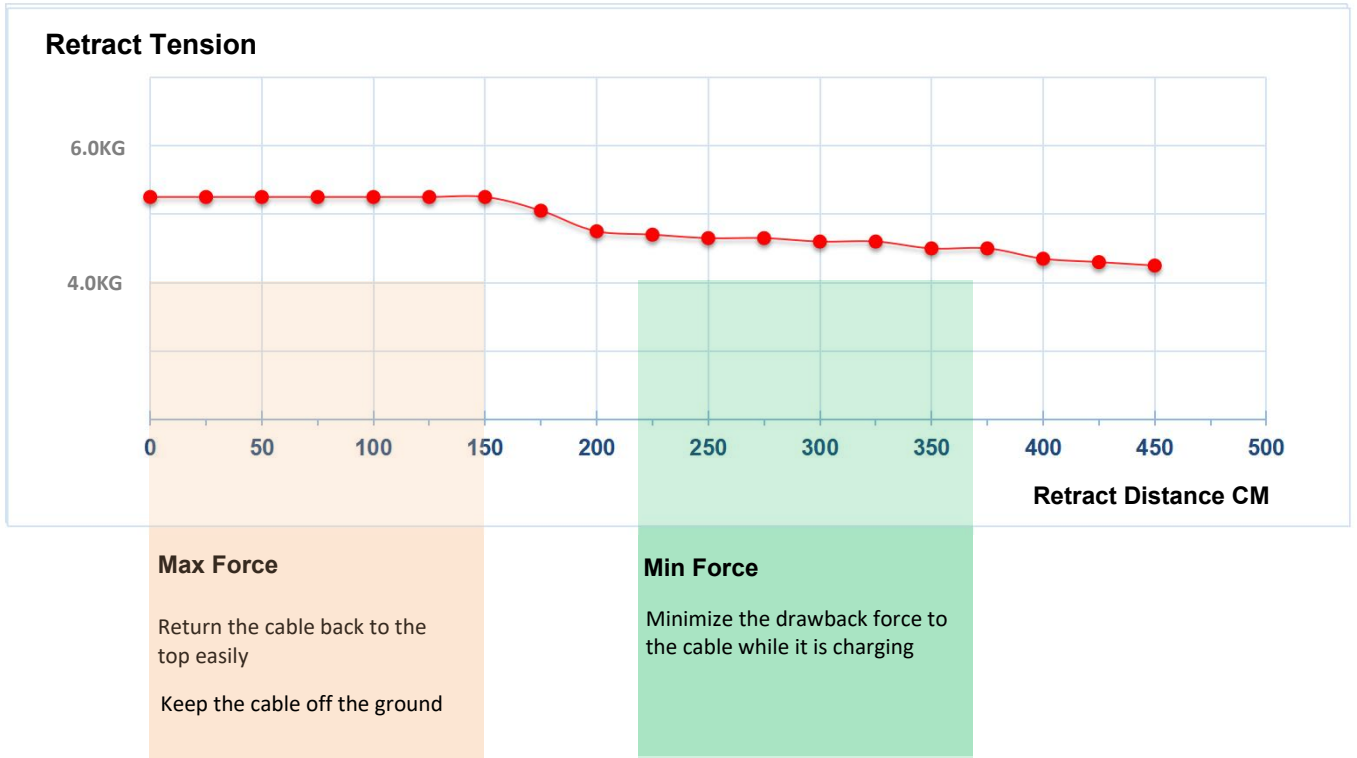


RETRACT FORCE DISTRIBUTION

An Ideal Solution for EV Charging Cable Management

- * Strongest retract force while the cable is being unplugged and returned to holder
- * Smallest retract force while the cable is plugged in and charging

Retract Force vs Retract Range in below Table



Ideal Solution for EV Charging Cable Management

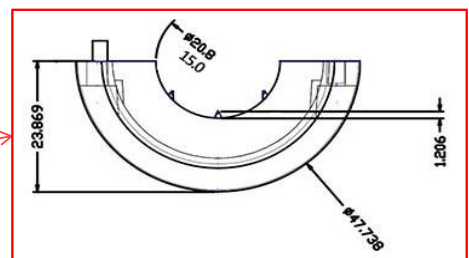
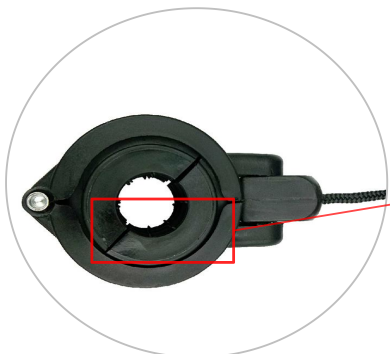
While Charging

The retractor reduces stress on vehicle charge port while connected to the electric vehicle

After Charging

When returning the cable back to the holder, the retractor outputs enough force to draw the cable back and keep it off the ground

CABLE CLAMP



Clamp with 2 Diameter Options

- 0.59" For Cable with OD 14-17MM
- 0.82" For Cable with OD 19-22MM