



TS4-A-F

PV Module Advanced Add-On

The TS4-A-F is the advanced add-on shutdown solution that brings smart module functionality to standard PV modules for higher reliability. Upgrade existing PV systems or add module-level shutdown to new installations.

The TS4-A-F shutdown feature requires installation with the Tigo RSS Transmitter or an inverter with built-in Tigo certified transmitter for activation.

Included Features



Manual or automatic module-level **shutdown**

Easy Installation

Snap to standard module frame or remove brackets for rack mounting

PLC Signaling

Control module-level shutdown with the Tigo RSS Transmitter

Automatic Shutdown

PV array enters shutdown mode in event of AC grid loss



TS4-A-F SPECIFICATIONS

Environmental

Operating Temperature Range	-40°C to +85°C (-40°F to +185°F)
Outdoor Rating	IP68
Maximum Elevation	2000m

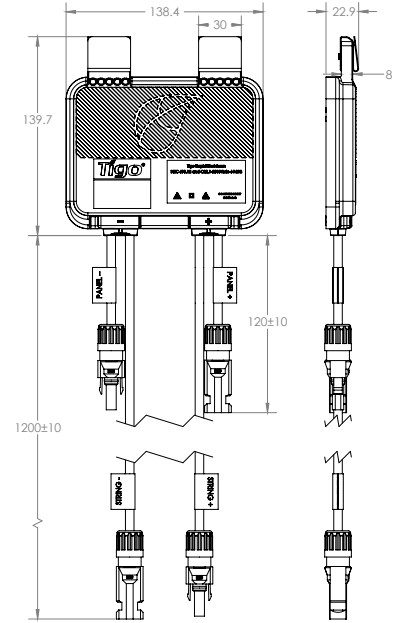
Mechanical

Dimensions	138.4mm x 139.7mm x 22.9mm
Weight	490g

Electrical

Voltage Range	16 - 90V
Maximum Current	15A
Maximum Power	500W
Output Cable Length	1.2m (standard)
Connectors	MC4 (standard)
Communication Type	PLC

Module-level shutdown activation of TS4-A-F requires RSS Transmitter.



ORDERING INFORMATION

Standard

458-00252-32 1500V UL / 1000V TÜV, 1.2m cable, MC4

Options

458-00257-12 1000V UL / TÜV, 1.2m cable, MC4 comparable

458-00261-32 1500V UL / TÜV, 1.2m cable, EVO2

For sales info:

sales@tigoenergy.com

For product info:

Visit tigoenergy.com/products

For technical info:

Visit support.tigoenergy.com



For additional info and product selection assistance, use Tigo's online design tool at tigoenergy.com/design

